

KEWTECH

KT63 PLUS

Multifunction Installation Tester

Operating Instructions



Index

Safety information and explanation of symbols used	4
Contents of the KT63 PLUS	5
Inserting Batteries	7
Overview	8
Rotary Switch Functions	9
Push Button Functions.....	10
Continuity Test Function	10
Insulation Test Function	13
Special Polarity Test Pad.....	16
Loop Test Function.....	17
RCD Test Function.....	23
Phase Rotation	27
Specifications and Tolerances	28

The KT63 PLUS Multifunction Tester has been designed and built to the highest standards providing you with a safe and simple solution to your test requirements.

The KT63 PLUS tester is used to verify the safety of Commercial, Domestic and Industrial installations. All testing is required to meet BS7671: The requirements for Electrical Installations (IET wiring regulations 2018). The KT63 PLUS covers all aspects of these requirements with ease of use and safety in mind.

Conformance with Standards






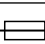
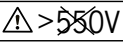

This tester complies with all the latest UK and European regulations.

This tester has been tested according to the following regulations:

- BS EN 61010-2-030:2010 - Safety requirements for electrical equipment for measurement, control and laboratory use. Particular requirements for testing and measuring circuits.
- BS EN 61326-2-2:2013 - Electrical equipment for measurement, control and laboratory use. Particular requirements for portable test, measuring and monitoring equipment used in low-voltage distribution systems.
- BS EN 61557:2007 - Electrical safety in low voltage distribution systems up to 1000V AC and 1500V DC. Equipment for testing, measuring or monitoring of protective measures.
- Part 1 : General Requirements
- Part 2: Insulation Requirements
- Part 3: Loop Requirements
- Part 4: Continuity Requirements
- Part 6: RCD Requirements
- Part 7: Phase Rotation Requirements
- Part 10: Multifunction Requirements

Safety

Equipment Markings

	Caution - refer to the instruction manual.
	Caution! Voltage present. Risk of Electric Shock.
	Earth.
	Construction is double insulated.
	Product should be recycled as electronic waste.
	User accessible fuse in battery compartment - F0.5A, 500V, HRC 6.3 x 32mm
	Prohibited to use on Electrical Systems which use voltages above 550V.
	Conforms to EU standards.
CAT III / CAT IV	CAT III Testers are designed to protect against transients and fault currents in fixed equipment installations at the distribution level. Examples are measurements on distribution boards and socket wiring. CAT IV Testers are designed to protect against transients and fault currents from the primary supply level (overhead or underground utility service). Examples are measurements made before the main fuse or circuit breaker.

4

WARNING

Read Before Using

- To maintain operator safety use only specified accessories.
- When working on live circuits, use of a proving unit such as the Kewtech KEWPROVE is recommended to establish correct function of the tester.
- If the equipment is used in a manner not specified by the manufacturer, the protection afforded by the equipment may be impaired.
- Disconnect from external circuits before removing battery cover.
- Inspect the tester and accessories for damage before use and do not use if damage is found.

Safety

Before using the KT63 PLUS read this instruction manual carefully to ensure a safe understanding of the symbols and use of the tester. See opposite page for a list of symbols used on the product and in this manual.

A Warning identifies hazardous conditions and actions that could cause bodily harm or death.

A Caution identifies conditions and actions that could damage the instrument or cause permanent loss of data.



Read Before Using

To prevent possible electrical shock, fire, or personal injury:

- Use the product only as specified, or the protection supplied by the product can be compromised.
- Do not use the product around explosive gas, vapour or in damp or wet environments.
- Do not use test leads if they are damaged. Examine the test leads for damaged insulation, exposed metal, or if the wear indicator shows. Check test lead continuity.
- Use only Kewtech approved accessories such as test leads etc supplied with the instrument.
- Do not use the product if it is damaged.
- To be repaired by Kewtech or authorised Kewtech agents only.
- Do not apply more than the rated voltage between the terminals or between each terminal and earth ground.
- Remove test leads from the tester before battery cover is removed.
- Do not operate the product with covers removed or the case open. Hazardous voltage exposure is possible.
- Use only specified replacement fuse. Fuse type F0.5A, 500V, HRC 6.3 x 32mm
- Keep fingers behind the finger guards on the probes at all times.
- Connect the common test lead before the live test lead and remove the live test lead before the common test lead.
- Use Personal Protective Equipment (approved rubber gloves, face protection, and flame-resistant clothes) to prevent shock and arc blast injury where hazardous live conductors are exposed.

Contents of the KT63 PLUS

Your Kewtech Multifunction Tester comes complete with:

- Kewtech KT63 PLUS Multifunction Tester
- Mains test lead with BS1363 Plug (KAMP12)
- 3 Wire distribution board test lead set with probes and crocodile clips (ACC063)
- Remote Switch Probe
- AA LR6 Alkaline batteries x 6
- Heavy Duty Carry Case
- Neck Strap
- Certificate of Calibration

6

All the parts listed above are included in the carry case

Inserting batteries

To insert batteries ensure the instrument is switched off and no test leads are connected. Remove battery cover from base of unit, insert batteries into holder ensuring correct polarity.



Replace cover.

Always use good quality LR6 AA (x6) Alkaline Batteries and do not mix old and new batteries.

Re-chargeable batteries are not suitable.

Battery power level indicated on the colour display by the symbol.



Please dispose of your batteries carefully.

Batteries are made from important resources and chemicals, including lead, cadmium, zinc, lithium and mercury. If batteries are disposed of as normal waste, they'll be taken to a landfill site and those resources will be lost and will contribute to the pollution of the environment. Recycling is one way you can help the environment and you should dispose of used batteries separately from other waste, using local collection and recycling schemes available.

Overview

Front panel and controls



8

Top view



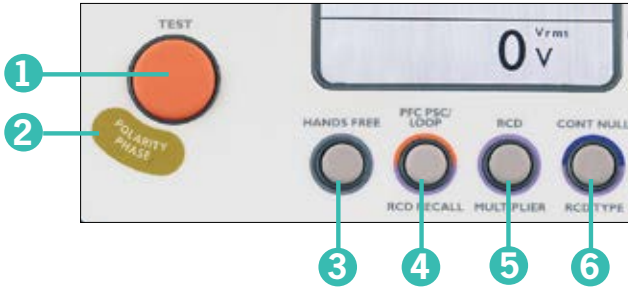
Rotary switch functions

All test functions are selected by using the main rotary switch.

1. Power off.
2. Continuity
3. 250V Insulation test
4. 500V Insulation test
5. 1000V Insulation test
6. 1000mA RCD test (Manual)
7. 500mA RCD test (Manual)
8. 300mA RCD test (Manual)
9. 100mA RCD test (Manual)
10. 30mA RCD test (Manual)
11. 10mA RCD test (Manual)
12. 30mA RCD test (Auto)
13. Phase rotation test
14. High resolution L-N loop test
15. High current earth loop impedance test
16. No trip earth loop impedance test



Push Buttons



- | | |
|---------------------------------|---|
| 1. Test Button | - Initiates all selected tests. |
| 2. Polarity Phase | - Checks incoming mains polarity |
| 3. Hands Free | - Hands Free function for Continuity, Insulation & Loop |
| 4. PFC PSC / Loop
RCD Recall | - Prospective fault current value after Loop Test Result
- List the last set of RCD data from an autotest sequence |
| 5. RCD Multiplier | - Cycles between ½x, 1x, 5x & ramp |
| 6. Continuity Null
RCD Type | - Nulls the resistance value of the test leads in use
- Toggles between AC & A type RCDs |

Auto Power Off Function

To ensure long battery life the KT63 PLUS will automatically power off when standing idle for 5 minutes. To power the KT63 PLUS back on either return the selector switch to "OFF" and then back to the test selection or simply press any of the four buttons under the display screen.

Continuity

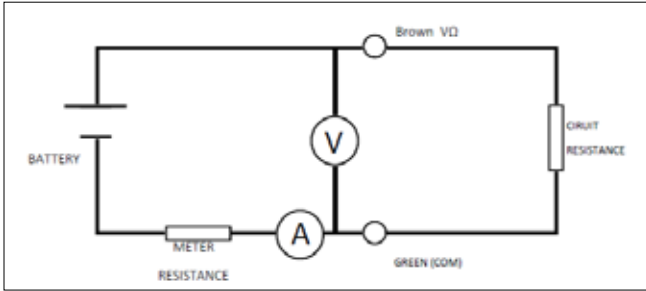


Caution

Principle of Measurement

Measurements must only be carried out on de-energized circuits.

If the tester is connected to a live circuit (25V or greater), the LED will flash red and the hazard buzzer will sound. Your KT63 PLUS is fully protected and measured RMS voltage will be displayed on the secondary/lower display. Further testing after this point will be inhibited. To resume testing, disconnect the test leads and isolate the circuit.



During continuity measurement current flows from battery positive through the Brown (VΩ) lead, external circuit resistance, Green (COM) lead, meter resistance and finally back to the battery negative.

The current and voltage are measured as shown and the external resistance calculated. When the leads have previously been nulled, their resistance is subtracted before displaying the reading.

The purpose of Continuity Testing is to establish the resistance of the circuit under test.

Test Procedure

Insert the brown test lead into the brown input terminal & the green test lead into the green terminal.

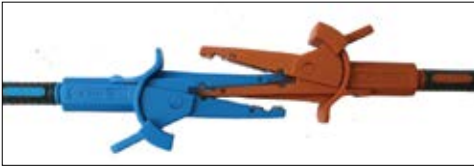


The brown test lead can be substituted by using the brown remote test probe supplied. This allows remote activation of the KT63 PLUS from the safety of the test probe ensuring that you are always looking at the point of contact and not the KT63 PLUS.

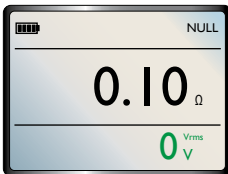
Lead Nulling

Test Leads are nulled to ensure accurate resistance values of circuit under test. To achieve this you must null the resistance of the leads in use. Using the croc clips connect the open ends of the test leads together firmly ensuring a good connection, then press the continuity null button, the instrument will display the resistance value of the test leads, then press the test button, the display will then show 0.00Ω and your test leads are successfully nulled. The word NULL will appear on the display.

IMPORTANT – When connecting the croc clips they must be connected as in the picture shown this ensures that the best point of contact is made to give the most accurate resistance value of the leads that will be used for testing.



12



Before Null



After Null

If inserting new or different length leads you must reset the memory and then repeat process above.

N.B. Nulled results will be stored until a user reset. To reset simply leave the KT63 PLUS in continuity mode and open circuit i.e. do not have leads connected. Then press NULL this will then remove the null function. The word NULL will no longer be displayed.

The KT63 PLUS is now correctly set up to perform continuity testing on a circuit. You can also set up your KT63 PLUS to be used in hands free mode on continuity by simply pressing the HANDS FREE button and then pressing test. HANDS FREE will flash at the top of the screen to indicate you are in hands free mode. To deactivate simply press the HANDS FREE button again.

Insulation

Caution

Measurements must only be carried out on de-energized circuits.

If the tester is connected to a live circuit (25V or greater), the LED will flash red and the hazard buzzer will sound. Your KT63 PLUS is fully protected and measured RMS voltage will be displayed on the secondary/lower display. Further testing after this point will be inhibited. To resume testing, disconnect the test leads and isolate the circuit.

All equipment and appliances should be disconnected from the circuit under test. Attached equipment may be damaged by the higher voltages applied during testing and may return an artificially low test result.

There may be capacitance on the circuit being tested after you have a measured result. Your tester will automatically discharge this, do not disconnect the test leads or change tester function until auto-discharge has completed.

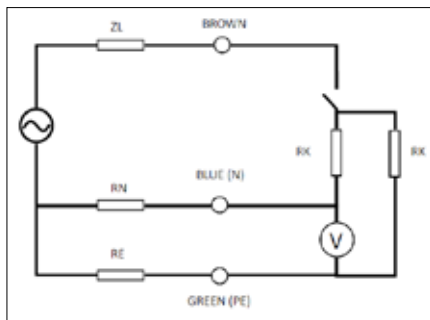
Warning

Do not touch the ends of the test leads while on the Insulation test functions as they are energised.

Results of measurements can be adversely affected by impedances of additional operating circuits connected in parallel or by transient currents.

Principle of Measurement

During insulation measurement the tester generates a high voltage internally. The positive side of this is connected to Brown (V Ω) lead causing a very small current to flow through the external insulation resistance, Green (COM) lead, meter resistance and finally back to the negative side of the HV generator.



The current and voltage are measured as shown and the external resistance calculated and displayed.

Test Procedure

Insert the brown test lead into the brown input terminal & the green test lead into the green terminal. The brown test lead can be substituted by using the red remote test probe supplied. This allows remote activation of the KT63 PLUS from the safety of the test probe ensuring that you are always looking at the point of contact and not the KT63 PLUS.



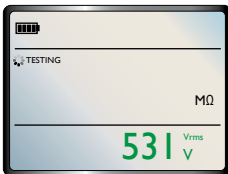
14



Select insulation on the rotary switch either 250V, 500V or 1000V setting as required.

Connect the brown test lead to the phase conductor and the green test lead to the other conductor under test and press the test button.

Press the test button, the tester will beep indicating voltage output through the test leads and the circuit under test. The display will indicate output voltage then display the result of test in $M\Omega$. 0V output will indicate if finished and no voltage present.



Test in progress with voltage output



Test result

When test is activated the red Voltage/Polarity will flash warning there is voltage on the leads and circuit under Test.

Hands Free

Hands Free Insulation Testing.

To enable the hands free feature simply press the 'HANDS FREE' button once. The 'HANDS FREE' annunciator will appear flashing on the display, press the test button to start testing. The 'HANDS FREE' annunciator will continue to flash until cancelled by a further press of the 'HANDS FREE' button or by changing the function selector switch.

When the 'HANDS FREE' annunciator is flashing a single press of the 'HANDS FREE' button will toggle continuous testing on and off.

Once started a steady beeping tone will be emitted to indicate that measurement is being taken. After a second or two the test result will be displayed in the primary display area and an audible tone will indicate either by a single beep that the result is a value above $2M\Omega$ or by a short 2 tone alarm that the result is a value under $2M\Omega$. The secondary display area will show the terminal voltage being applied.

The tester will continue to take the measurement and any further change to the resistance of the circuit will be indicated by an audible tone as described above and a change of result on the display.

Whilst testing in hands free mode the red warning LED will flash to warn of the voltage between the prod tips/crocodile clips.

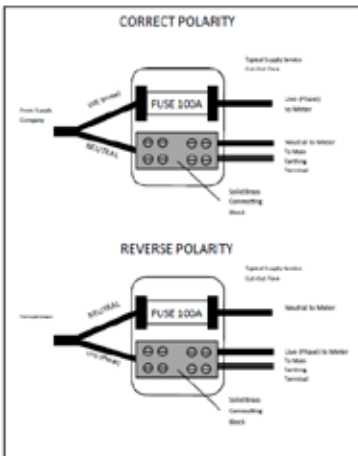
A further single press of the test button will suspend measurement.

Polarity Test Pad



In No-trip mode the tester can be used with the mains lead KAMP12 when testing at 13A socket outlets, or the distribution board lead set ACC063 for testing at other points in the circuit. In No-trip mode the 3 colour coded prods/crocodile clips of the test lead should be connected to the corresponding Line, Neutral and Earth terminals.

Your Kewtech KT63 PLUS tester has a special polarity test function.



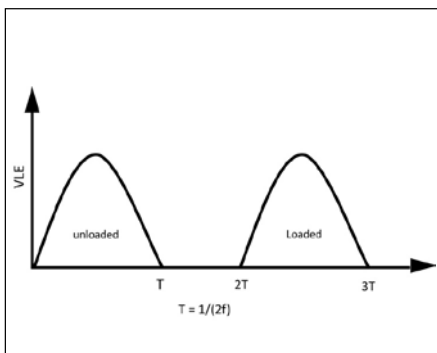
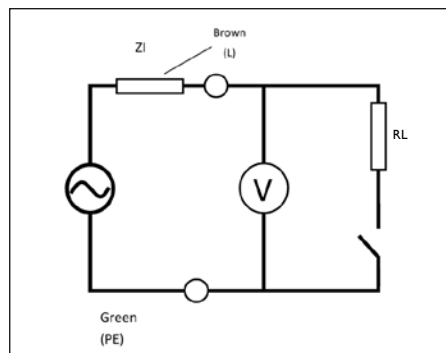
It is a little known fact that a system can be reverse wired with Live (Phase) to earth/neutral and earth/neutral to Live (Phase). The sockets will all work and conventional loop testers will show and test that everything is correct despite this very dangerous wiring condition.

Although extremely rare, this dangerous condition can exist so if your test shows this fault do not proceed - if in any doubt advise your customer to contact their supply company immediately.

Touch the touchpad area next to the test button. There should be no change in the indication given. If the Voltage/Polarity LED flashes Red and a warning tone is emitted when the touchpad is touched a potentially dangerous polarity reversal exists. Do not proceed. If in any doubt advise the customer to contact the electricity supply company immediately.

Loop Impedance Testing

Principle of Measurement – Hi-I



Hi-I Line-Earth loop measurement takes place in several steps:

- The tester measures an unloaded half-cycle of the mains.
- The tester switches in load R_L . This causes the mains circuit to be slightly attenuated due to the effective source impedance.
- The tester measures a second half-cycle with the mains still loaded.
- The load is removed.

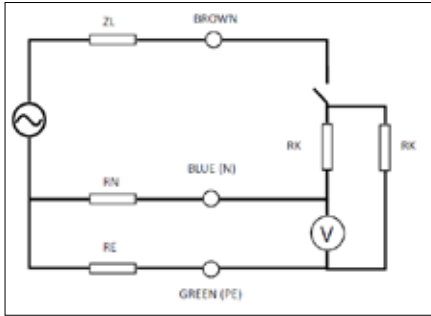
The resistive part of Z_I is calculated from the unloaded and loaded half-cycle measurements. Each pair of measurements is taken adjacently to minimize noise and several such pairs may be used for best accuracy. The inductive part of Z_I is calculated from the unloaded and loaded half-cycle durations. Any inductance causes a measurable lag in the loaded half-cycle.

Note: When testing on a supply with inductance exceeding 1mH or phase angle exceeding 30° accuracy may be reduced.

Loop Impedance Testing

Principle of Measurement – No-Trip

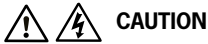
The No-Trip Line-Earth loop range measures the same circuit value ZI using a two-stage technique.



In the first stage the Live-Neutral loop impedance Z_{LN} is measured using the same principle as for the Live-Earth loop.

The second stage is similar to Hi-I but operates at a low current to avoid tripping RCDs.

18



CAUTION

Although fully protected against over voltage to 550VAC this tester should only be used on a 230V supply.

Important note for calibration check box users: The smart loop test system used by the KT63 PLUS is immune to sudden high value changes such as voltage spikes. As a result when changing calibration or check box loop values the tester or the supply must be switched off between changes of calibration values.

The KT63 PLUS Loop test function has 2 modes for Loop testing that allow the user to conduct the most accurate test possible depending whether or not the circuit under test is protected by an RCD.

Intermittent Operation

The KT63 PLUS is designed for a large number of loop tests in rapid succession. In the unlikely condition this limit is exceeded a thermometer will be shown on the display until the unit cools down. Testing will be inhibited while the thermometer is shown.

Mains Supply Wiring And Voltage Test

When first connected to a mains supply the KT63 PLUS will automatically conduct a safety test to ensure that the Live, Neutral and Earth conductors are all connected correctly and that the supply voltage is in the acceptable range (207-253V)

If all is well the VOLTAGE/POLARITY warning LED will light Green and the supply voltage will be displayed in the primary display area.

In the event of a problem with either the mains voltage supply or reversed connections the VOLTAGE/POLARITY warning LED will light Red, a warning tone will be sounded and testing will be inhibited.

This condition will be indicated for your safety.

Loop Test Procedures

Hands Free Loop Testing

The hands free feature can be used in either No Trip or high current test modes.

To enable the hands free feature simply press the 'HANDS FREE' button once, The 'HANDS FREE' annunciator will appear flashing on the display and will continue to do so until cancelled by a further press of the 'HANDS FREE' button or by changing the function selector switch.

When the 'HANDS FREE' annunciator is flashing all you need to do is connect the test lead to a mains supply and the test will be carried out.

High Current Mode

For Ze testing at the distribution board or at any point upstream of RCD protection there is a traditional fast high current test mode. The high current mode is a 2-wire test that enables the user to test the true impedance of both the Line-Neutral Loop and the Line-Earth loop and therefore to establish both the PSC (prospective short circuit current) and the PFC (prospective fault current) for the installation.

Unlike most testers that only measure the resistance of the Loop, the high current mode of the KT63 PLUS will measure the impedance of the Loop which includes an element of reactance. This can be significant where the distribution board is close to the mains supply transformer and is therefore much more accurate than older Loop testing techniques.

You should be aware that because of this there may well be variations in reading compared to ordinary loop testers or to the non-trip function of this tester, particularly when the measurement is made near to the mains supply transformer.

No Trip Mode

For Zs testing where the circuit being tested is protected by an RCD there is the No Trip Loop Test mode. In this mode testing can be made at sockets on the final circuit without fear of tripping the RCD under normal circumstances.

This is achieved by testing at a current that is too low to trip an RCD on an otherwise healthy circuit. The No Trip test is a 3-wire test that also checks the Live, Neutral/Earth conductors are correctly connected before running the loop test.

Note- if there is abnormal standing leakage current on the circuit such as a faulty Microwave Cooker for example then this abnormal leakage is added to low current used for the above test and the RCD may trip.

However this can be seen as an advantage since it is pointing to a faulty appliance that should be rectified or replaced.

Whilst No-Trip testing at points on the final circuit will normally function with a high level of accuracy, it should be noted that the low current measurement technique used is more likely to be adversely affected by external factors such as noise on the mains supply.

Circumstances such as testing at seldom used socket outlets with tarnished contacts or testing a circuit with a lot of background noise from electronic apparatus can result in the occasional erroneous reading.

For this reason it is recommended that multiple measurements are made when using the No-Trip mode and any isolated odd results are ignored. When taking multiple readings the tester should be disconnected from the supply between consecutive tests.

For safety reasons the No-Trip mode is recommended for all measurements made on TT systems.

Where practical all other equipment powered by the same circuit should be switched off before testing. This will reduce the chances of the RCD tripping as a result of combined leakages.

PFC / PSC

In both Loop test modes the KT63 PLUS will also display the supply voltage and at the touch of the PFC PSC / Loop button the PFC / PSC depending on being connected L-E or L-N, will be displayed.

Test Lead Configuration

The KT63 PLUS Loop test function can be used with 2 types of connecting lead. It is important to understand and use the correct lead configuration for each test mode or you may not obtain the correct results.

Lead Options

Kewtech KAMP12 mains lead with 3 x 4mm connectors to 13A plug

Kewtech ACCO63 3 wire distribution board test lead set that can be fitted with either prod tips or crocodile clips as required.

2 Wire lead configuration Brown (live) Blue (neutral) Green (earth) are connected into the instrument. The neutral is inserted into the back of the earth lead at the prod (or croc clip) end to give a combined contact for 2 wire test method.

The brown test lead can be substituted by using the brown remote test probe supplied. This allows remote activation of the KT63 PLUS from the safety of the test probe ensuring that you are always looking at the point of contact and not the KT63 PLUS.



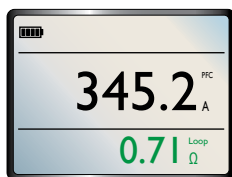
High Current Test (Ze)

The high current should only be conducted with the distribution board test lead set Kewtech ACCO63 configured in 2 wire mode. Do not use this function with the Kewtech KAMP12 or the distribution board test lead set in 3-wire configuration.

Rotate the function selector to the Hi-I position.

Connect the test lead probes to the circuit under test and press the test button.

The result will be shown in the primary display and the mains voltage will be shown in the secondary display.



Press the PFC PSC / Loop button to show the PFC / PSC in the primary display depending on being connected L-E or L-N and the impedance in the secondary display area.

21

Note: The reading described here as PFC / PSC will be the prospective fault current for the circuit being immediately tested. This is known as PSC in the case of a test between Live and Neutral or PEFC for a test between Live and Earth conductors.

BS7671 (IET wiring regulations 2018) calls for an IPF value to be recorded, this is the higher of the PSC and PEFC as described above.

No Trip Loop Test (Zs)

Connect the brown, blue and green test leads to the corresponding output terminals on the tester.

The brown test lead can be substituted by using the remote test probe supplied. This allows remote activation of the KT63 PLUS from the safety of the test probe ensuring that you are always looking at the point of contact and not the KT63 PLUS.

If testing the loop impedance at a socket, plug in the 13 amp plug and switch on the power.

N.B. The circuit under test must be live to do loop testing.



The test will be inhibited if the wiring has incorrect polarity on the circuit under test.

Rotate the function selector switch to 'NO TRIP'

Connect the test lead to the socket/circuit under test.

Providing that the connections are correct and the supply voltage is within the correct range the VOLTAGE/POLARITY LED will light Green, the Kewtech KT63 PLUS will start taking some background measurements and will display the Line Neutral supply voltage

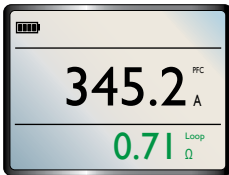
Voltage will be displayed. Then press the test button.



The screen will show a symbol and the word TESTING.



The result of the test will be shown in the primary display.



A single press of the PFC PSC / Loop button will toggle the display so that the PFC is shown in the primary display and the impedance in the secondary display. A further press will toggle the results between the primary and secondary displays.

The leads are an integral part of the tester set-up and should accompany the tester when being returned for re-calibration or service. Do not use any other type of mains lead or test lead set.

RCD

Warning

Leakage currents in the circuit following the residual current protection device may influence the measurements.

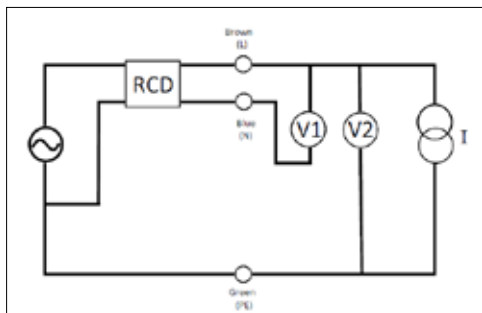
Potential fields of other earthing installations may influence the measurement.

Special conditions in S-type residual current protective devices shall be taken into consideration.

Equipment connected downstream of a residual current protective device (RCD) may cause considerable extension of the operating time. Examples of such equipment might be connected capacitors or running motors.

Principle of Measurement – $x1/2$, $x1$, $x5$

During an RCD test an earth leakage current I is applied to unbalance the RCD.



During application of the current, VLN is monitored using voltmeter V1 for an RCD trip signature. When trip occurs, the time from application of the earth leakage current to the trip is calculated and displayed.

Additionally, VLE is measured using voltmeter V2 to monitor Fault Voltage. If excessive Fault Voltage is detected, testing is aborted and a warning is displayed. This detection uses the

actual Fault Voltage occurring during the test and not the predicted fault voltage at the rated residual current.

Application of the current is limited in duration. If no trip is detected during the application, an over range reading is displayed. Note: when testing at $x1/2$, no trip is a PASS.

Principle of Measurement – Ramp

During RCD Ramp testing, the earth leakage current starts at 20% of RCD rated current and increases by 10% of RCD rated current every 300ms up to a maximum of 110%. For example a 30mA Ramp test runs from 6mA to 33mA.

The trip time is measured as in the normal case and the trip level calculated from it.

RCD Test Function



CAUTION

Although fully protected against over voltage to 550VAC this tester should only be used on a 230V supply.

The KT63 PLUS will test all the most commonly encountered RCD's of both standard (AC & A) types and selective (ACS & AS) types across the full range of tests required by BS7671 (IET wiring regulations 2018).

Test Requirements

Each RCD is tested to ensure that:

- It is not prone to 'nuisance' tripping it. It checks that it does not trip when a fault of half its rated current is introduced. This is referred to as the x½ test.
- It operates with a maximum disconnection time of 300ms (AC&A type) when a fault at its rated current is introduced. This is referred to as the x1 test.
- In the case of an RCD rated at 30mA there is an additional requirement that it operates with a maximum disconnection time of 40ms when a fault of five times its rated current is introduced. This is referred to as the x5 test.

For the reasons explained below all of the above tests have to be conducted at both 0° and 180° this means that four tests (or for 30mA RCD's six tests) have to be made for each RCD.

The user friendly design of the KT63 PLUS simplifies the test process by enabling you to do any of these tests by making just two function selections.

Sinusoidal Polarity (the 0° or 180° test)

RCD's often operate with different reaction times depending upon whether the fault is introduced during the positive or negative half cycle of the AC waveform. Therefore to accurately determine the maximum response time of an RCD it is necessary to test it twice at each given fault current, firstly with the fault introduced during the positive half cycle and secondly during the negative half cycle.

The KT63 PLUS takes care of this for you by alternating the start point of consecutive tests at any given setting. If for example you have selected a test at the rated trip current (x1) of a 100mA RCD, the first press of the test button will apply a 100mA fault current starting on the positive half cycle (0°) and display the result. A further press of the test button will carry out another test at the same current but starting on the negative half cycle (180°).

Test Leads

Where testing is to be conducted at a point on the circuit other than a socket outlet the distribution board test lead set Kewtech ACC063 is used in 3-wire mode as described in the previous chapter. The probes can be fitted with either prod tips or crocodile clips as required.

Mains Supply Wiring and Voltage Test

When first connected to a mains supply the KT63 PLUS will automatically conduct a safety test to ensure that the Live, Neutral/Earth conductors are correctly connected and that the supply voltage is in the acceptable range of 207-253V.

If all is well the VOLTAGE/POLARITY warning LED will light Green and the supply voltage will be displayed in the primary display area.

In the event of a problem with either the mains voltage supply or reversed connections the VOLTAGE/POLARITY warning LED will light Red, a warning tone will be sounded and testing will be inhibited.

RCD Test Procedure

Select the type of RCD by pressing the RCD type button and the rating of the RCD to be tested with the rotary function selector switch.

Connect the 4mm connectors of the chosen test lead to the corresponding L, N & E terminals of the KT63 PLUS and connect the other end to the socket or circuit terminals under test.

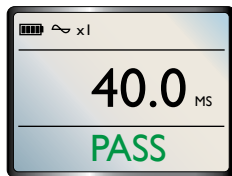
If using the distribution board test lead set Kewtech ACC063 observe the correct polarity by connecting the Brown probe to the Live conductor, Blue to Neutral and Green to Earth.

User Selected Test



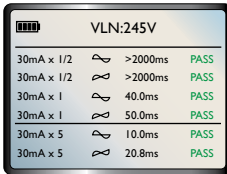
The recommended order of tests is firstly at $\frac{1}{2}x$ the rated current followed by a test at the rated current ($x1$) and finally, for 30mA RCD's only, $5x$ the rated current.

The default test parameters of $x\frac{1}{2}$ $x1$ $x5$ for the current multiplier and 0° for the phase polarity will be automatically selected for the first test. These will be displayed on the LCD along with the Live-Neutral voltage.



Press the test button and a test will be conducted at these settings. If successful and the RCD has failed to trip a single beep will sound and the main display will be similar to this example

Automatic Test



Test Setting	Waveform	Requirement	Status
30mA x 1/2	∞	>2000ms	PASS
30mA x 1/2	∞	>2000ms	PASS
30mA x 1	∞	40.0ms	PASS
30mA x 1	∞	50.0ms	PASS
30mA x 5	∞	10.0ms	PASS
30mA x 5	∞	20.8ms	PASS

For the most commonly encountered 30mA RCD the test process is even simpler. Just turn the rotary selector to the '30mA AUTO' setting and the KT63 PLUS will conduct all six required tests at a single touch of a button. Then when the RCD under test "trips" reset the RCD and continue to do so until the test procedure is complete then return to your KT63 PLUS where all results will be displayed on one screen.

Pass or Fail Result

In addition to displaying the time taken for the RCD to trip the KT63 PLUS will also indicate whether it has passed or failed the test requirement of BS7671 (IET wiring regulations 2018).



The main display shows that the fault current was supplied for over 2000 milliseconds (2 seconds) without tripping the RCD. The secondary display confirms that this passes the requirements of BS7671 (IET wiring regulations 2018).



In the event of the RCD failing the test and tripping within 2 seconds at half the rated current the main display will show the trip time and the secondary display will show 'FAIL'. A short 2 tone alert will also sound.

After displaying the result for a few seconds the tester will switch to the 180° phase polarity setting in readiness for the next test.

When both tests have been conducted at the x $\frac{1}{2}$ setting press the multiplier button to change the test current to the x1 setting.

Press the test button to conduct a test at the x1 setting a 0°. The result will be shown as a pass if RCD trips within 300ms. After displaying the result for a few seconds the tester will switch to the 180° phase polarity setting in readiness for the second test at the x1 current setting.

If the 30mA setting has been selected the x5 current option will be available by using the multiplier button. This option is not available or required for other ratings.

Ramp Test

The KT63 PLUS also includes a diagnostic Ramp test feature. In this mode rather than applying a steady fault current and measuring the time taken for the RCD to trip, the KT63 PLUS gradually increases the fault current and identifies the level of additional leakage at which the RCD trips.

This is particularly useful in diagnostic testing of circuits where nuisance tripping is a problem and helps to identify the difference between an over sensitive RCD and excessive leakage from poor insulation or equipment with high leakage.



Use the rotary switch to select the rating of the RCD.

Press the RCD multiplier button until the symbol ▲ is displayed.

Press the test button to start the test. The fault current applied will increment in 3mA steps until the RCD trips.

If nuisance tripping on a circuit is a problem this function can be used to retest the RCD with other appliances systematically connected and removed.

For example a 30mA RCD may trip at 12mA on ramp test with an appliance connected and then at 27mA with the appliance removed. You will know that the appliance is leaking approximately 15mA.

Phase rotation

Principle of Measurement

During phase rotation measurement the amplitudes and phase angles of the three inputs L1, L2, L3 are checked against limits, allowing for mild unbalance conditions. The indication 1-2-3 is displayed for normal rotation (L2 lags L1) and 3-2-1 for reverse rotation (L2 leads L1).

Display of Phase rotation is Automatic when all three tests leads are connected to the 3 phase supply:

Set the main rotary switch to PHASE.

Using three test leads, connect test leads to the L1 to Phase 1, L2 to Phase 2 and L3 to Phase 3.

The KT63 PLUS will display .1 .2 .3 or .1 .3 .2 depending on the direction of phase rotation.



Warning

Only use LR6 Alkaline replacement batteries.

Please dispose of your batteries carefully.

Batteries are made from important resources and chemicals, including lead, cadmium, zinc, lithium and mercury. If batteries are disposed of as normal waste, they'll be taken to a landfill site and those resources will be lost and will contribute to the pollution of the environment. Recycling is one way you can help the environment and you should dispose of used batteries separately from other waste, using local collection and recycling schemes available.

General Specifications

28

Dimensions	Accuracy
Dimensions	H 115mm W 245mm D 140mm
Weight (With Batteries)	965g
Battery Type	6 x AA / LR6 Alkaline
Battery Life (Typical)	Idling : 13.5 hours Insulation according to BS EN61557-2: 1008 tests Continuity according to BS EN61557-4: 960 tests
Protective Device	F0.5A, 500V, HRC 6.3 x 32mm
LCD Display	TFT (Thin-Film-Transistor) Colour LCD 3.5" Diagonal 320xRGBx240 pixels
Category Rating	300V CAT IV 600V CAT III
Ingress Protection Rating	IP54
Operating Temperature	0°C to 40°C
Storage Temperature	-10°C to 60°C
Operating Humidity	80% @ 31°C to 50% @ 40 °C
Operating Altitude	0 to 2000m

Measurement Specifications and Accuracies

High Current - High Resolution

2 wire test Live – Earth or Phase - Phase.

Measurement Range	Accuracy	System Voltage Range	System Voltage Frequency	Over Voltage Protection (BS EN 61557-10)
0.000 Ω to 9.999 Ω	\pm (3% + 30m Ω)	100 - 440 V ac	50-60 Hz	550 V

Loop / PFC-PSC

High Current

2 wire test Live – Earth or Phase - Phase, 7A nominal at 230V.

Measurement Range	Accuracy	System Voltage Range	System Voltage Frequency	Over Voltage Protection (BS EN 61557-10)
0.00 Ω to 500.0 Ω	\pm (3% + 3 digits)	100 - 440 V ac	50-60 Hz	550 V

29

No Trip

3 wire test Live-Earth, 13 mA nominal at 230V, max 5 Ω Neutral impedance.

Measurement Range	Accuracy	System Voltage Range	System Voltage Frequency	Over Voltage Protection (BS EN 61557-10)
0.00 Ω to 500.0 Ω	\pm (5% + 5 digits)	195 - 253 V ac	50-60 Hz	550 V

Insulation

Test Voltage	Measurement Range	Accuracy	Short Circuit Current (into 2k Ω)	Over Voltage Protection (BS EN 61557-10)
250 V	0.001 to 200.0 M Ω	\pm (3% + 2 digits + 10%/G Ω)	< 2 mA	550 V
500 V	0.001 to 500.0 M Ω	\pm (3% + 2 digits + 5%/G Ω)	< 2 mA	550 V
1000 V	0.001 to 1000 M Ω	\pm (3% + 2 digits + 2.5%/G Ω)	< 2 mA	550 V

Output Voltage

Voltage	Load	Accuracy	Output Current	Short Circuit Current
250 V	250 k Ω	-0% +20%	1 mA	<2 mA
500 V	500 k Ω	-0% +20%	1 mA	< 2 mA
1000 V	1 M Ω	-0% +20%	1 mA	< 2 mA

Continuity

Measurement Range	Accuracy	Open Circuit	Short Circuit Current (at 2 Ω)	Max Lead Null Resistance	Over Voltage Protection
0.00 Ω to 19.99 kΩ	± (3% + 2 digits)	> 4 V < 10 V	> 200 mA	4 Ω	550 V Fused

RCD

System Voltage Range	System Voltage Frequency	Nominal Currents (mA)	Fault / Touch Voltage	Trip Time Accuracy	Over Voltage Protection (BS EN 61557-10)
195 – 253 V ac	50-60 Hz	30, 100, 300, 500	50 V	± (1% + 1ms)	550 V

Accuracy at Applied Test Current

Test Current	Accuracy
½	+0% -10%
x 1	+10% -0%
x5 (30mA only)	+10% -0%
▲ (Ramp)	± 5% of rated I _{ΔN}

Ramp Characteristics: 20% to 110% of rated I_{ΔN} in 10% steps (300ms dwell time)

Operating Ranges and Uncertainties According to EN 61557

Function	Display Range	EN 61557 Measurement Range	EN 61557 Operating Uncertainty	Nominal Values
Insulation Resistance EN 61557-2	0.001 MΩ - 1000MΩ	0.1MΩ – 1000MΩ	1.6%	U _N = 250 / 500 / 1000 V dc I _N = 1.0mA
Loop Impedance EN 61557-3	0.01Ω - 500Ω	1.04Ω - 470Ω	Hi-I: 4.8% No=Trip: 10.8%	U _N = 230/400 V ac f = 50/60 Hz f = 50/60 Hz
Continuity EN 61557-4	0.00Ω – 20kΩ	0.1Ω - 10kΩ	10%	4.0 V dc < U _Q < 24 V dc R _{L0} ≤ 2.00Ω I _N ≥ 200 mA
RCD EN 61557-6	ΔT : 5ms – 2000ms I _{ΔN}	ΔT : 38.2ms – 214.8ms I _{ΔN} : 15mA – 500mA	ΔT : 0.8% I _{ΔN} : 7%	I _{ΔN} = 30 / 100 / 300 / 500 mA

Operating Uncertainties

Influence Quantity	Insulation Resistance Influence Quantity	Loop Impedance ZI EN 61557-3	Continuity RLO EN 61557-4	RCD ΔT EN 61557-6	RCD $I\Delta N$ EN61557-6
A – Intrinsic Uncertainty	0.8%	0.9%	1%	5.6%	14.4%
E1 – Position	0%	0%	0%	0%	0%
E2 – Supply Voltage	1.0%	0.8%	10%	0.3%	1.3%
E3 - Temperature	0.8%	4.9%	0.7%	2.1%	2.9%
E6 – System Phase Angle	-	2.4%	-	-	-
E7 – System Frequency	-	0.4%	-	-	-
E8 – System Voltage	-	1.4%	-	0.6%	1.6%
E9 – System Harmonics	-	0.8%	-	-	-
E10 – System D.C Quantities	-	8.4%	-	-	-

For repair and calibration please return to us at :

EXPRESSCAL

Express Cal
Unit 2, Shaw Wood Business Park, Shaw Wood Way, Doncaster DN2 5TB
01302 761044
expresscal@Kewtechcorp.com

KEWTECH

Kewtech Corporation Limited
Midas House, Unit 2b, Stones Courtyard, High Street, Chesham, Bucks HP5 1DE
01494 792212
sales@Kewtechcorp.com